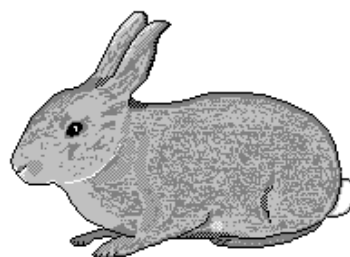


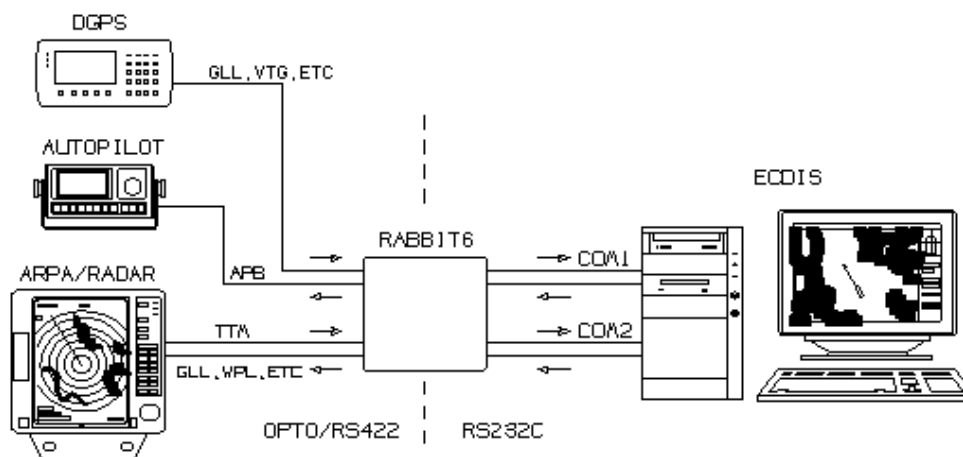
Rabbit 6



Isolated dual port computer interface.

The Rabbit (Rabbit - Lepus Cuniculus) is a small animal who has a delicious taste for carrots and electrical wires.

Rabbit 6 is an interface that converts the logical levels of NMEA 0183 to RS232C and vice versa. The computer side has a galvanic isolated dual bi-directional RS232C port. The NMEA side consists of two optocoupled inputs and two galvanic isolated RS422 outputs. Rabbit 6 makes it possible for a computer based chartprogram with high information streams, as GPS, ARPA and autopilot, to use two com ports on the computer.



Specification.

Power supply:	10-32 Volt DC	$\pm 10\%$.
Current consumption:	< 150 mA	
Temp.range:	-20°C - 70°C	
Case:	120 x 100x 35 mm	Metal case.
Computer side:	Input/Output	RS232C x 2 Galvanic isolated.
NMEA side:	Input:	NMEA x 2 Optocoupler.
	Output:	RS422 x 2 Galvanic isolated.

MARIN ELEKTRONIK

TAVELSJÖVÄGEN 18 120 59 ÅRSTA STOCKHOLM SWEDEN
 PHONE: 08-6455544 INT: +46-8-6455544 FAX: 08-187955 INT: +46-8-187955
 eMail: info@marinelektronik.se Homepage: www.marinelektronik.se