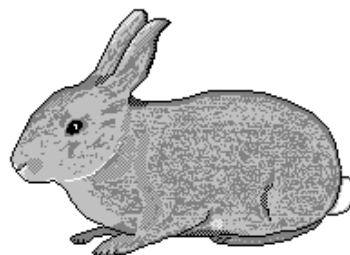


# Rabbit 7

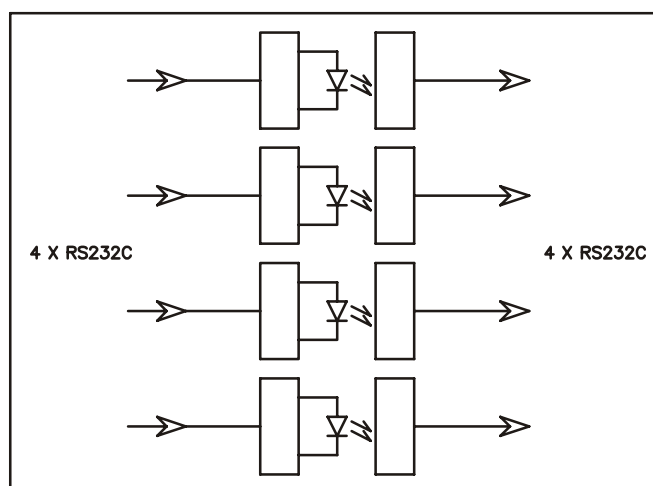


## Isolated four channel RS232C to RS232C interface.

---

The Rabbit (*Lepus Cuniculus*) is a small animal who has a delicious taste for carrots and electrical wires.

Rabbit 7 is an interface with four RS232C channels. The channels are galvanic isolated from each other, from the power source and between in and output. Rabbit 7 makes it possible to connect four simplex or two duplex channels, galvanic isolated to a computer



### Specification.

Power supply:	12 or 24 Volt DC	$\pm 20\%$ .
Current consumption:	< 100 mA	
Temp.range:	-20°C - 70°C	
Case:	120 x 100x 35 mm	Metal case.
Input:	RS232C x 4	Galvanic isolated.
Output:	RS232C x 4	Galvanic isolated.

---

## MARIN ELEKTRONIK

TAVELSJÖVÄGEN 18 120 59 ÅRSTA STOCKHOLM SWEDEN  
 PHONE: 08-6455544 INT: +46-8-6455544 FAX: 08-187955 INT: +46-8-187955  
 eMail: [info@marinelektronik.se](mailto:info@marinelektronik.se) Homepage: [www.marinelektronik.se](http://www.marinelektronik.se)